
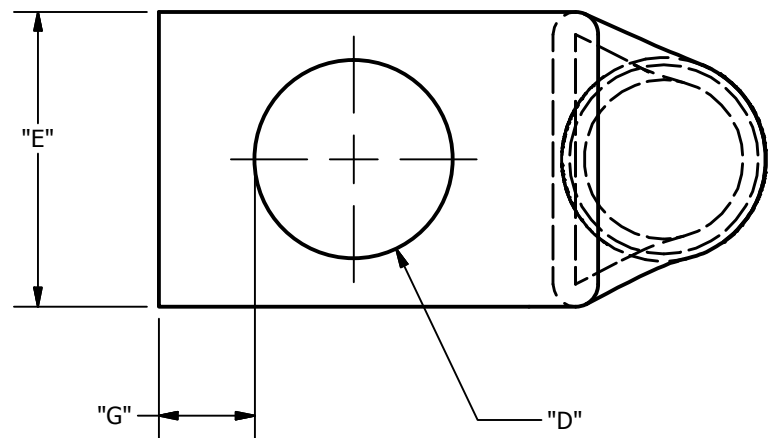
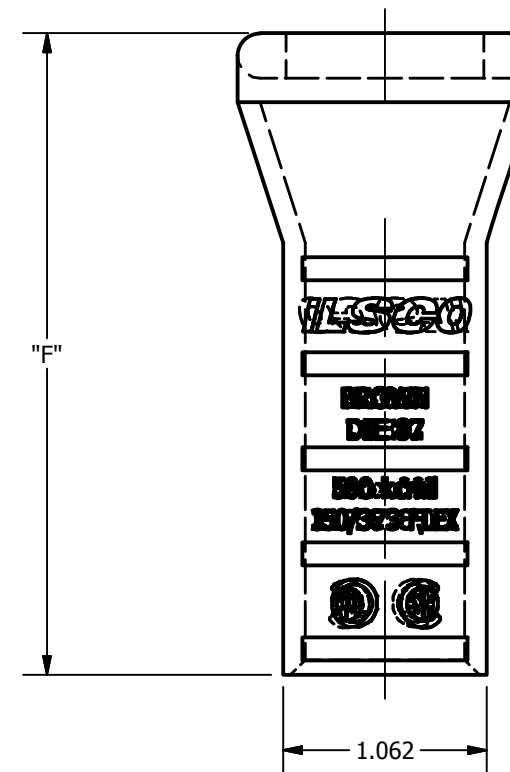
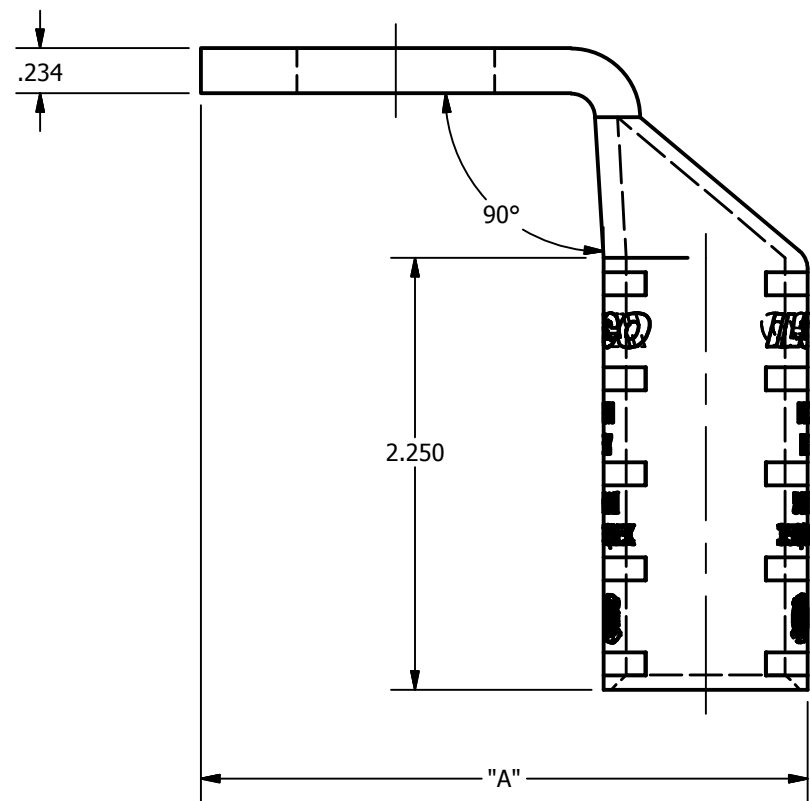


SCREW: NONE	MATERIAL: COPPER	REV: E	 800-776-9775 www.ilSCO.com
CAT. NO.: SEE CHART	PLATING: EL-TIN	DRAWN BY:DW SCALE: NTS	
INFORMATION SHEET:	MARKING: SEE CHART	DATE:6/3/2008 SIZE: B	DWG NO: Y1503-S-9
			SHEET: 1 OF 1



DETAIL E  
INK MARK TOP & BOTTOM



CATALOG NUMBER	"A"	"D"	"E"	"F"	"G"	TANG MARKING
CLNB-500-14-9	2.091	0.281	1.535	3.386	0.180	UL, ILSCO, CSA, CLNB-500-14-9, 1/4, 500 kcmil, 350/373 FLEX, DIE 87
CLNB-500-12-9	2.466	0.562	1.535	3.386	0.265	UL, ILSCO, CSA, CLNB-500-12-9, 1/2, 500 kcmil, 350/373 FLEX, DIE 87
CLNB-500-58-9	2.653	0.656	1.535	3.386	0.343	UL, ILSCO, CSA, CLNB-500-58-9, 5/8, 500 kcmil, 350/373 FLEX, DIE 87
CLNB-500-34-9	2.903	0.781	1.535	3.386	0.359	UL, ILSCO, CSA, CLNB-500-34-9, 3/4, 500 kcmil, 350/373 FLEX, DIE 87
CLNB-500-78-9	3.153	0.906	1.535	3.386	0.437	UL, ILSCO, CSA, CLNB-500-78-9, 7/8, 500 kcmil, 350/373 FLEX, DIE 87
CLNB-500-38-9	2.091	0.406	1.535	3.386	0.211	UL, ILSCO, CSA, CLNB-500-38-9, 3/8, 500 kcmil, 350/373 FLEX, DIE 87
CLNB-500-516-9	2.091	0.343	1.535	3.386	0.180	UL, ILSCO, CSA, CLNB-500-516-9, 5/16, 500 kcmil, 350/373 FLEX, DIE 87
CLNB-500-1-9	3.341	1.031	1.535	3.386	0.500	UL, ILSCO, CSA, CLNB-500-1-9, 1, 500 kcmil, 350/373 FLEX, DIE 87